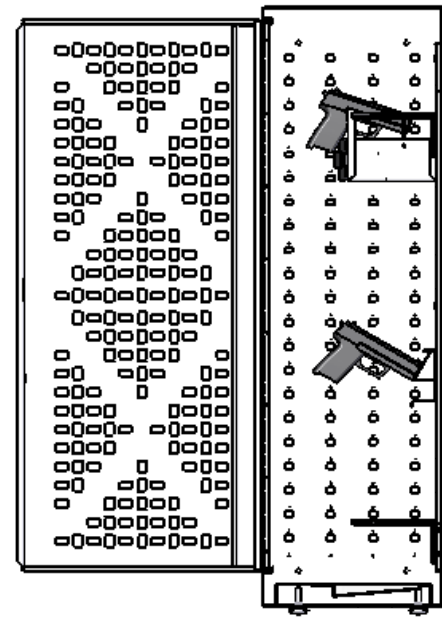
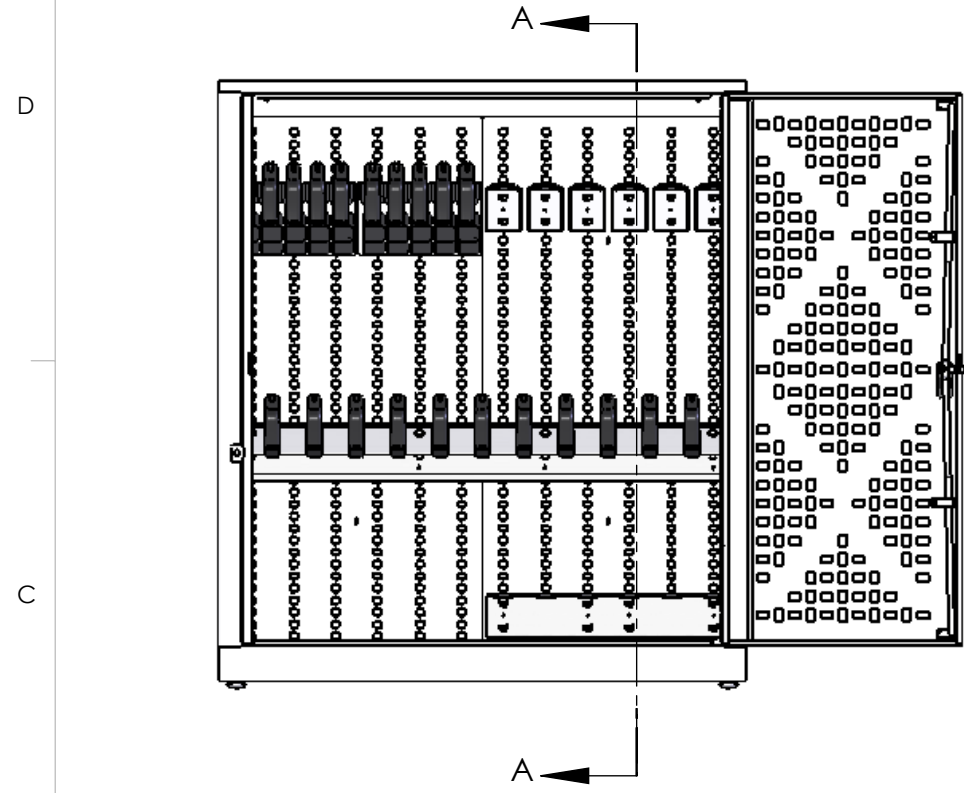
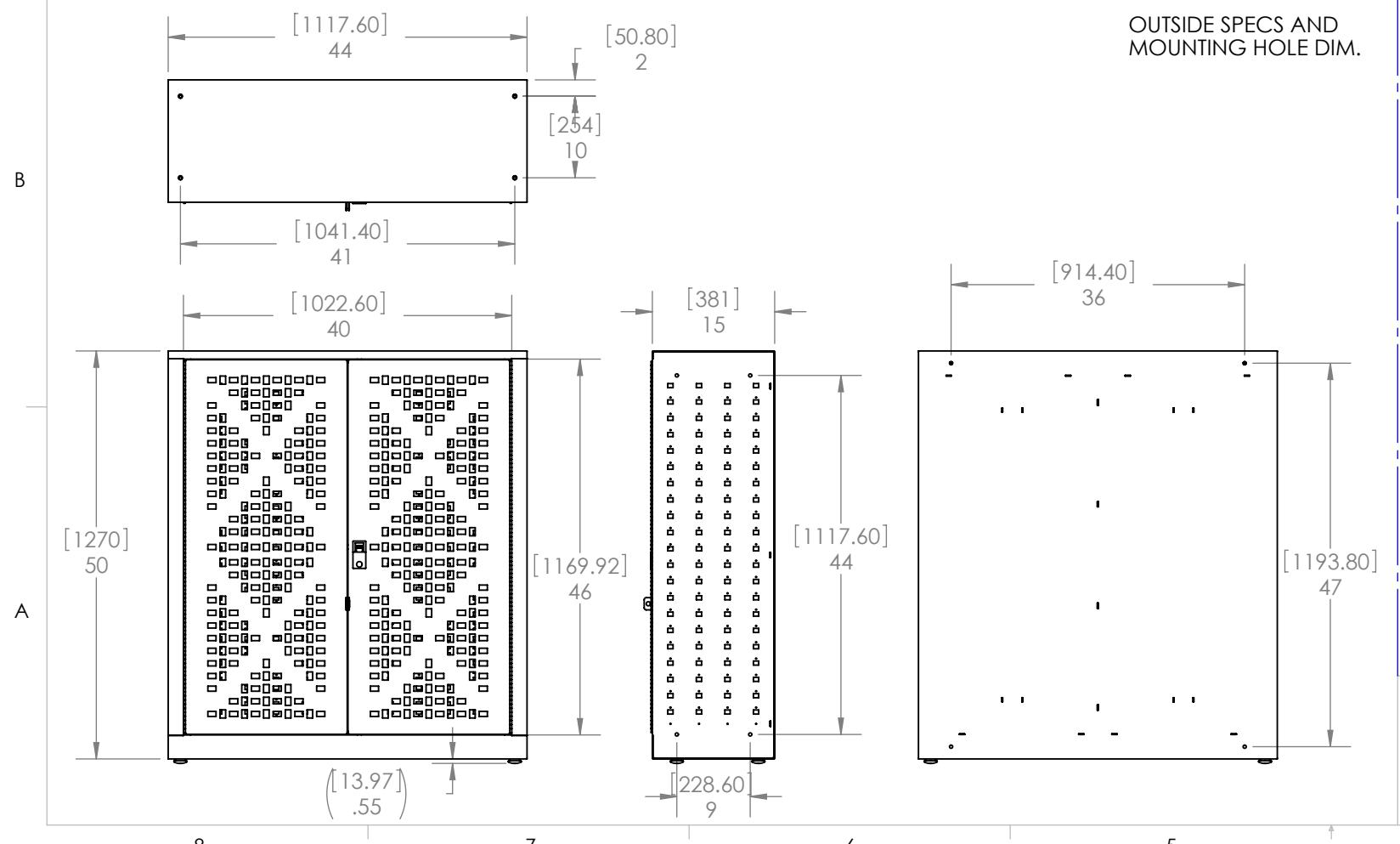
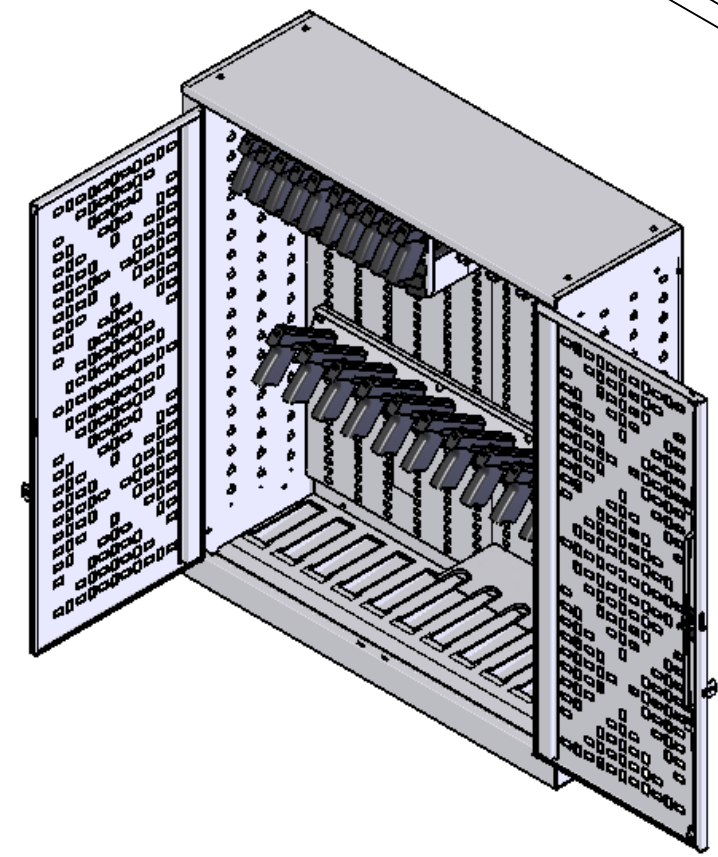
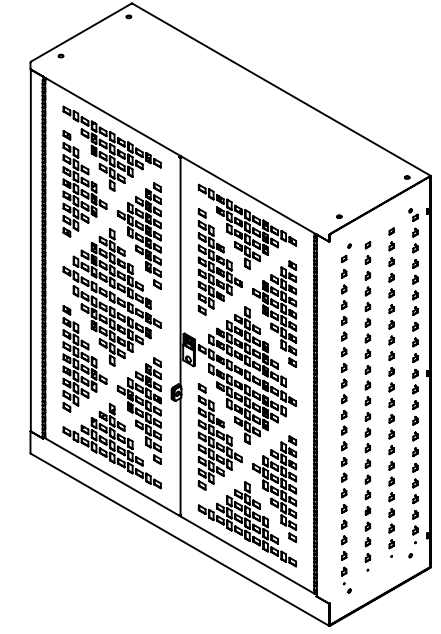


8 7 6 5 4 3 2 1



SECTION A-A



OUTSIDE SPECS AND MOUNTING HOLE DIM.

MM  
INCHES

**PROPRIETARY AND CONFIDENTIAL**  
THE INFORMATION CONTAINED IN THIS DRAWING IS THE SOLE PROPERTY OF TSI TECHNICAL SOLUTIONS INC. ANY REPRODUCTION IN PART OR AS A WHOLE WITHOUT THE WRITTEN PERMISSION OF TSI TECHNICAL SOLUTIONS INC. IS PROHIBITED.

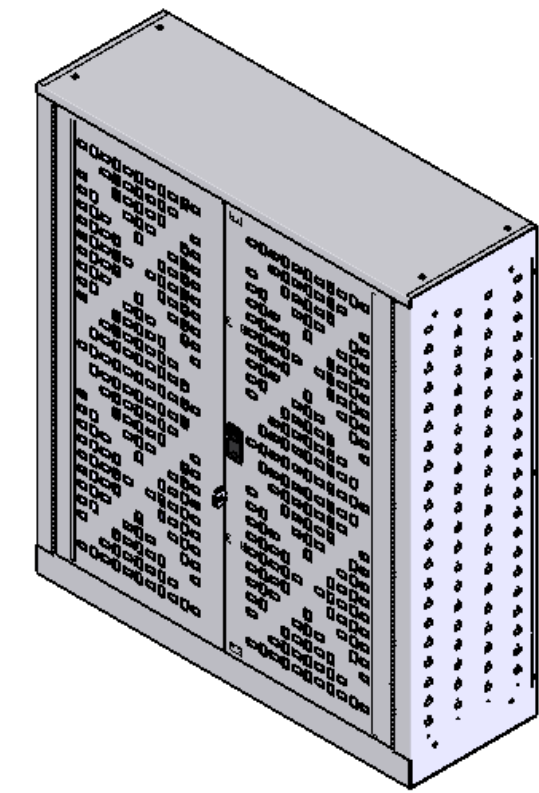
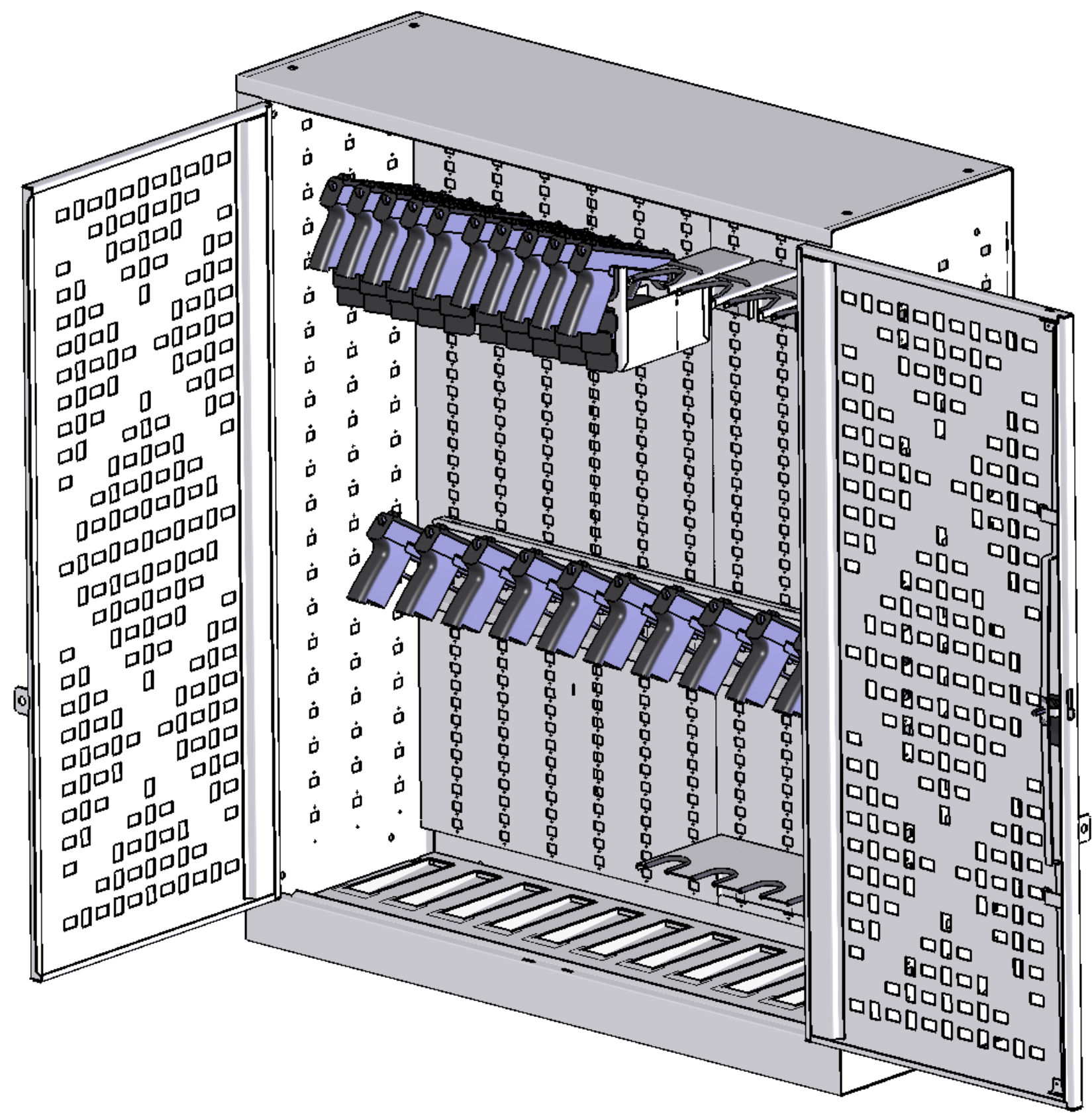
UNLESS OTHERWISE SPECIFIED:		NAME	DATE
DIMENSIONS ARE IN INCHES		DRAWN	JAC 12/13/2007
TOLERANCES:		CHECKED	
FRACTIONAL ± 1/16		ENG APPR.	
ANGULAR: MACH ± .25° BEND ± 1°		MFG APPR.	
ONE PLACE DECIMAL ± .100		Q.A.	
TWO PLACE DECIMAL ± .020		COMMENTS:	
THREE PLACE DECIMAL ± .010			
INTERPRET GEOMETRIC TOLERANCING PER:			
MATERIAL SEE PART			
FINISH HAMMERTONE-CARDINAL T064-GR05			
DO NOT SCALE DRAWING			

<b>TSI TECH SOLUTIONS</b>		
TITLE: 50" UNIV. WEAPONS CAB.		
SIZE <b>B</b>	DWG. NO. TSI-4450	REV <b>B</b>
SCALE: NTS	WEIGHT: 180.399	SHEET 1 OF 2

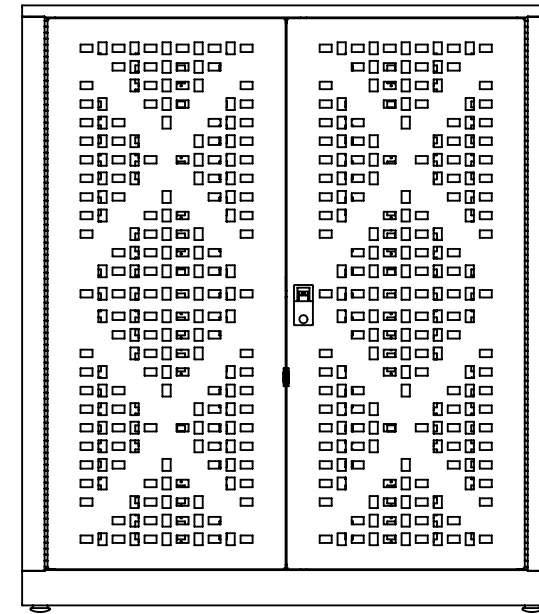
8 7 6 5 4 3 2 1

8 7 6 5 4 3 2 1

D  
C  
B  
A



D  
C  
B  
A



**PROPRIETARY AND CONFIDENTIAL**  
 THE INFORMATION CONTAINED IN THIS DRAWING IS THE SOLE PROPERTY OF TSI TECHNICAL SOLUTIONS INC. ANY REPRODUCTION IN PART OR AS A WHOLE WITHOUT THE WRITTEN PERMISSION OF TSI TECHNICAL SOLUTIONS INC. IS PROHIBITED.

UNLESS OTHERWISE SPECIFIED:  
 DIMENSIONS ARE IN INCHES  
 TOLERANCES:  
 FRACTIONAL ± 1/16  
 ANGULAR: MACH ± .25° BEND ± 1°  
 ONE PLACE DECIMAL ± .100  
 TWO PLACE DECIMAL ± .020  
 THREE PLACE DECIMAL ± .010  
 INTERPRET GEOMETRIC TOLERANCING PER:  
 MATERIAL SEE PART  
 FINISH HAMMERTONE-CARDINAL T064-GR05  
 DO NOT SCALE DRAWING

	NAME	DATE
DRAWN	JAC	12/13/2007
CHECKED		
ENG APPR.		
MFG APPR.		
Q.A.		
COMMENTS:		

<b>TSI TECH SOLUTIONS</b>		
TITLE: <b>50" UNIV. WEAPONS CAB.</b>		
SIZE <b>B</b>	DWG. NO. TSI-4450	REV <b>B</b>
SCALE: NTS	WEIGHT: 246.163	SHEET 2 OF 2

8 7 6 5 4 3 2 1