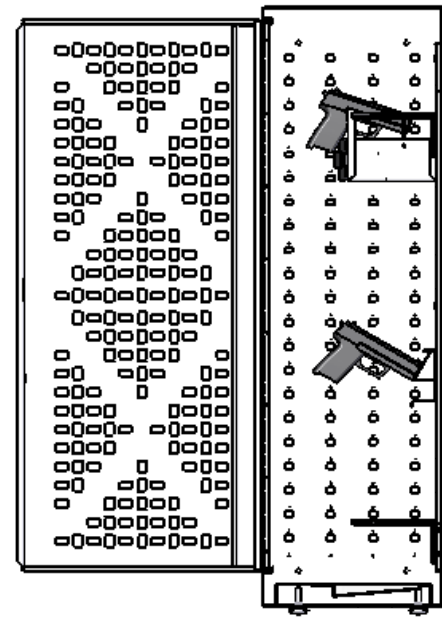
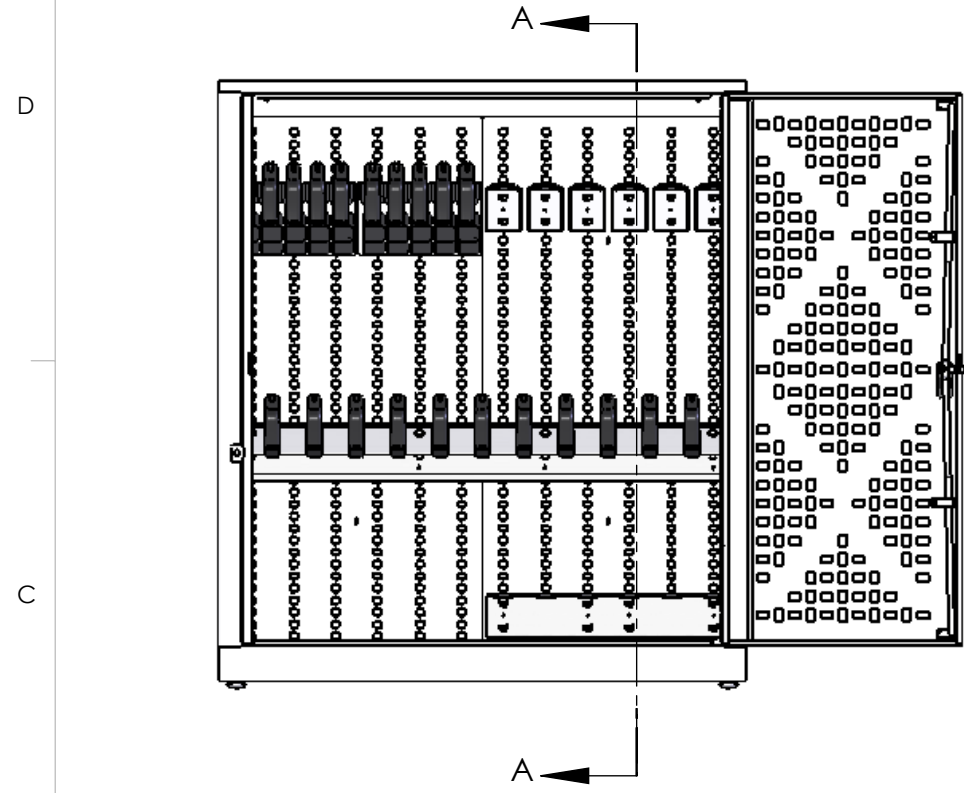
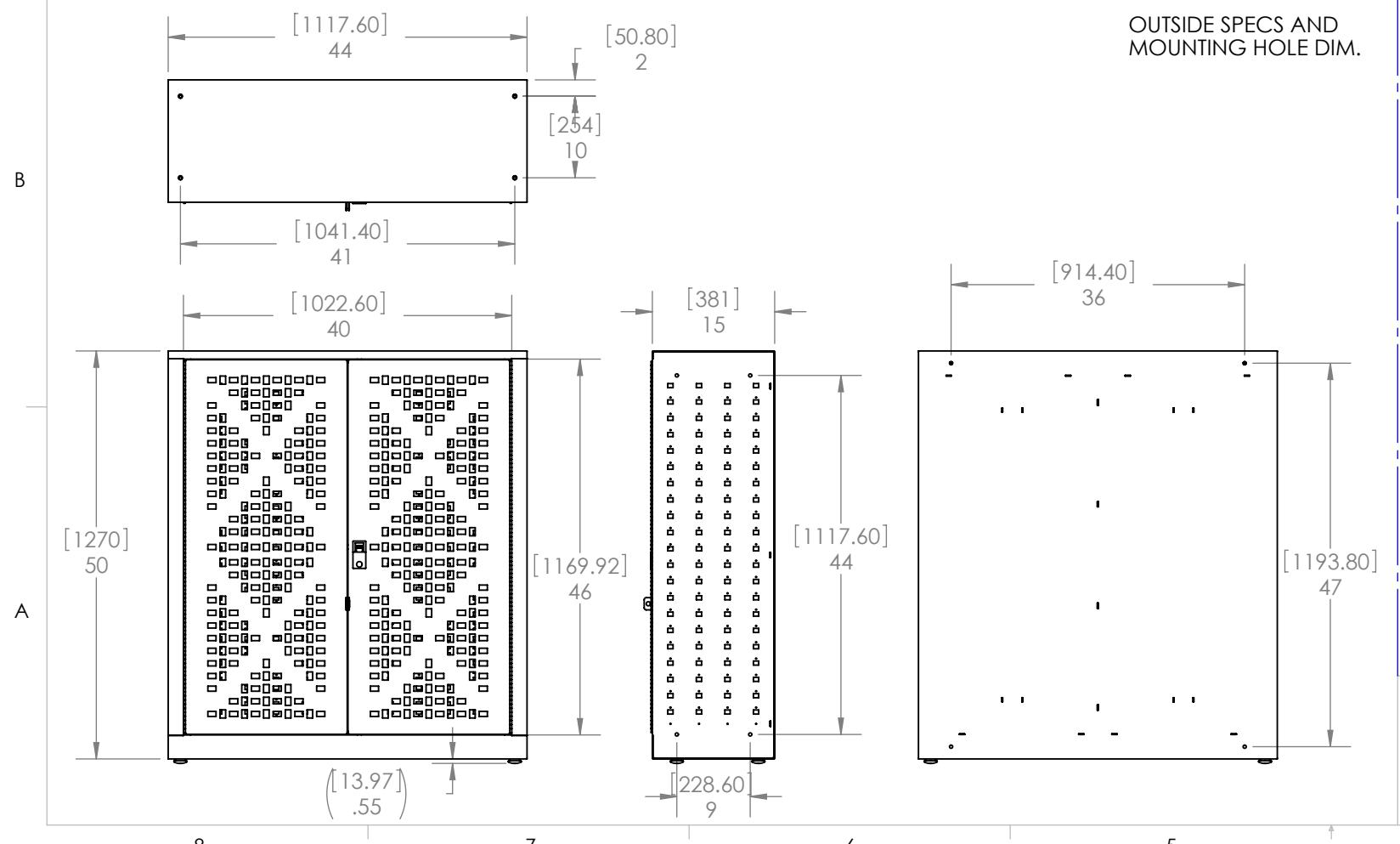
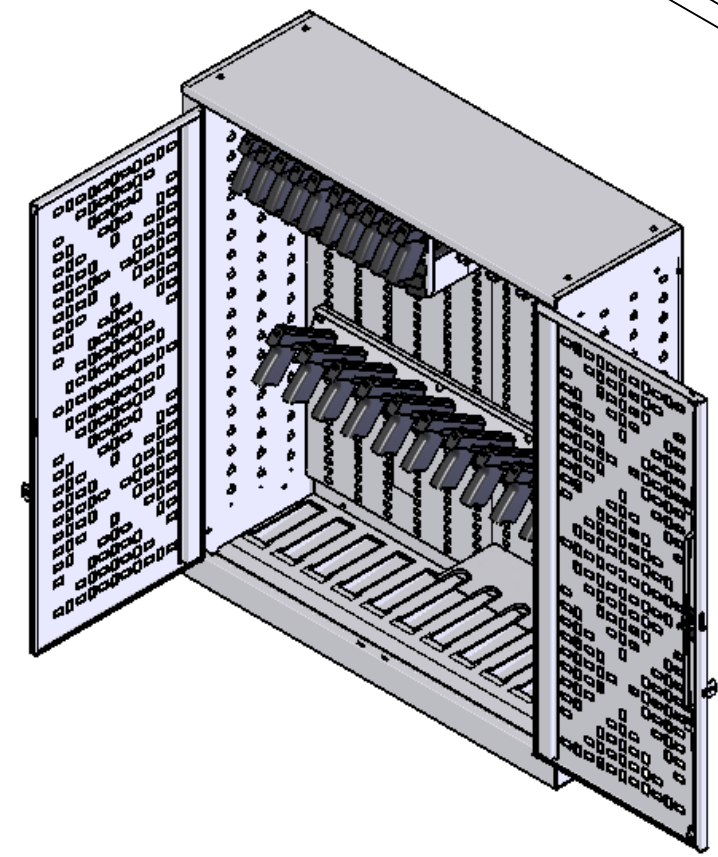
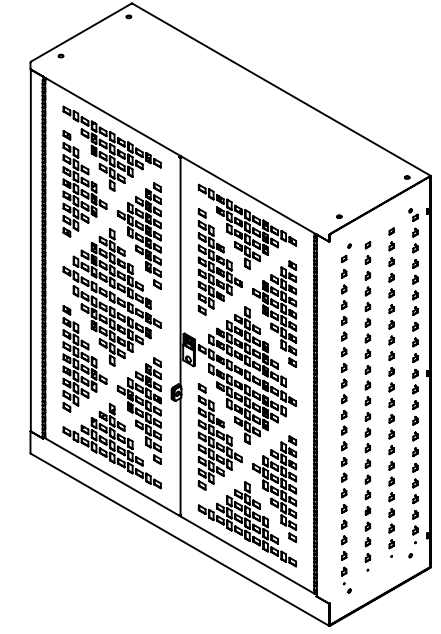


8 7 6 5 4 3 2 1



SECTION A-A



MM
INCHES

PROPRIETARY AND CONFIDENTIAL
THE INFORMATION CONTAINED IN THIS DRAWING IS THE SOLE PROPERTY OF TSI TECHNICAL SOLUTIONS INC. ANY REPRODUCTION IN PART OR AS A WHOLE WITHOUT THE WRITTEN PERMISSION OF TSI TECHNICAL SOLUTIONS INC. IS PROHIBITED.

UNLESS OTHERWISE SPECIFIED:		NAME	DATE
DIMENSIONS ARE IN INCHES		DRAWN	JAC 12/13/2007
TOLERANCES:		CHECKED	
FRACTIONAL ± 1/16		ENG APPR.	
ANGULAR: MACH ± .25° BEND ± 1°		MFG APPR.	
ONE PLACE DECIMAL ± .100		Q.A.	
TWO PLACE DECIMAL ± .020		COMMENTS:	
THREE PLACE DECIMAL ± .010			
INTERPRET GEOMETRIC TOLERANCING PER:			
MATERIAL SEE PART			
FINISH HAMMERTONE-CARDINAL T064-GR05			
DO NOT SCALE DRAWING			

TSI TECH SOLUTIONS		
TITLE: 50" UNIV. WEAPONS CAB.		
SIZE B	DWG. NO. TSI-4450	REV B
SCALE: NTS	WEIGHT: 180.399	SHEET 1 OF 2

8 7 6 5 4 3 2 1

D

D

C

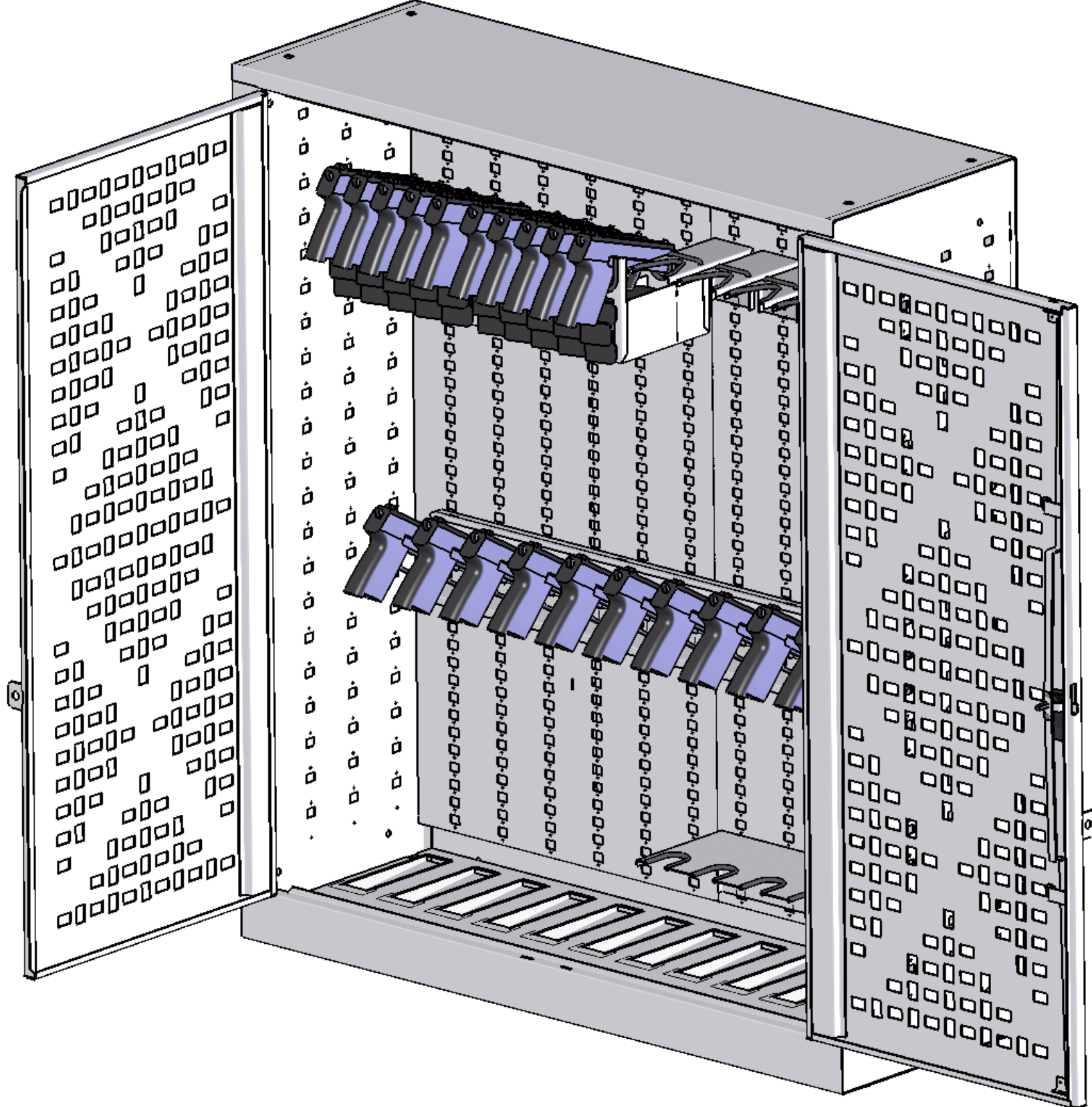
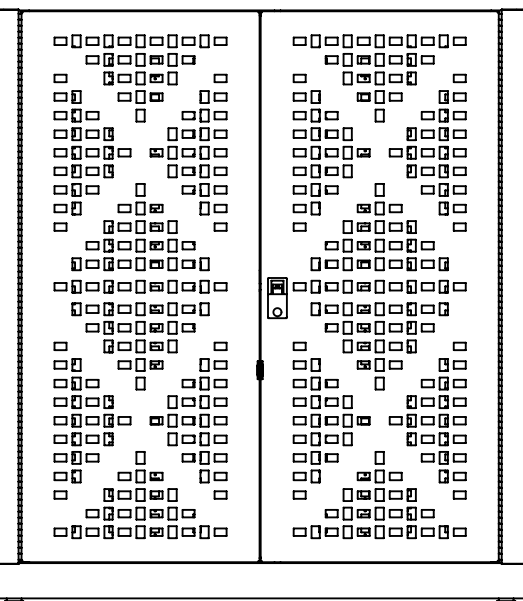
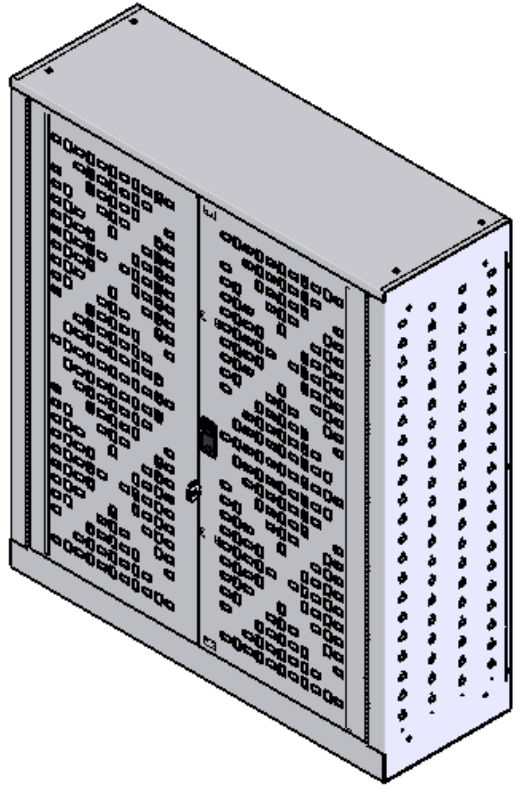
C

B

B

A

A



PROPRIETARY AND CONFIDENTIAL
 THE INFORMATION CONTAINED IN THIS DRAWING IS THE SOLE PROPERTY OF TSI TECHNICAL SOLUTIONS INC. ANY REPRODUCTION IN PART OR AS A WHOLE WITHOUT THE WRITTEN PERMISSION OF TSI TECHNICAL SOLUTIONS INC. IS PROHIBITED.

UNLESS OTHERWISE SPECIFIED:

DIMENSIONS ARE IN INCHES
 TOLERANCES:
 FRACTIONAL ± 1/16
 ANGULAR: MACH ± .25° BEND ± 1°
 ONE PLACE DECIMAL ± .100
 TWO PLACE DECIMAL ± .020
 THREE PLACE DECIMAL ± .010

INTERPRET GEOMETRIC TOLERANCING PER:

MATERIAL
 SEE PART

FINISH
 HAMMERTONE-CARDINAL T064-GR05

DO NOT SCALE DRAWING

	NAME	DATE
DRAWN	JAC	12/13/2007
CHECKED		
ENG APPR.		
MFG APPR.		
Q.A.		
COMMENTS:		

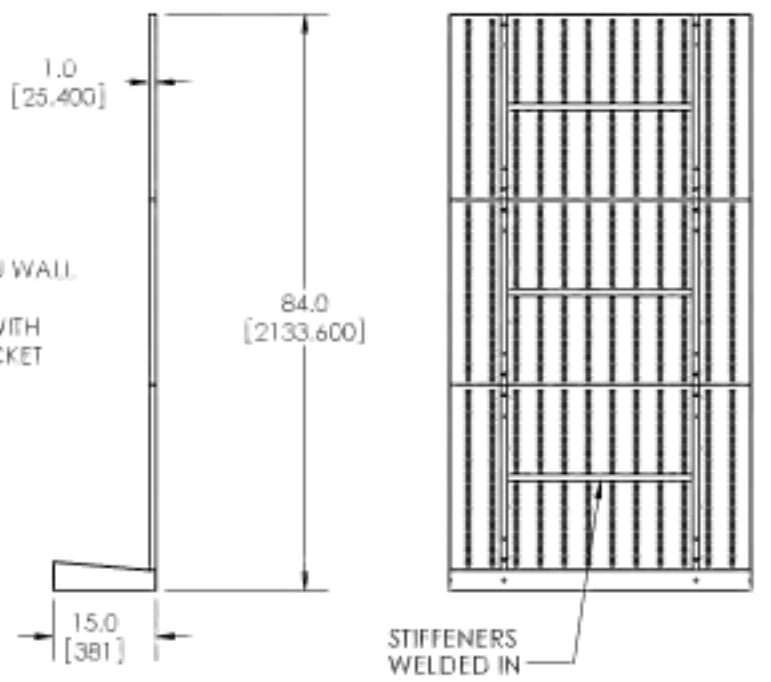
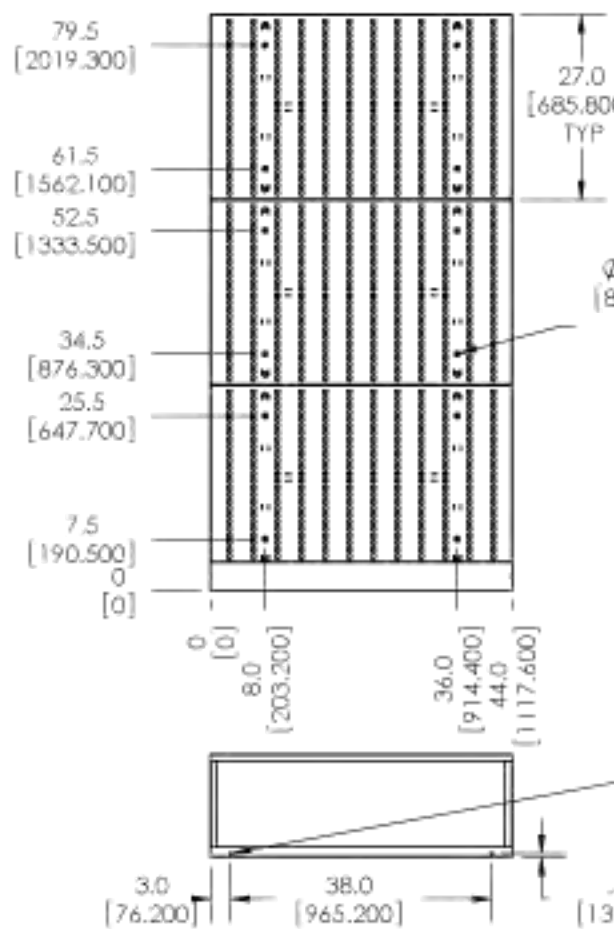
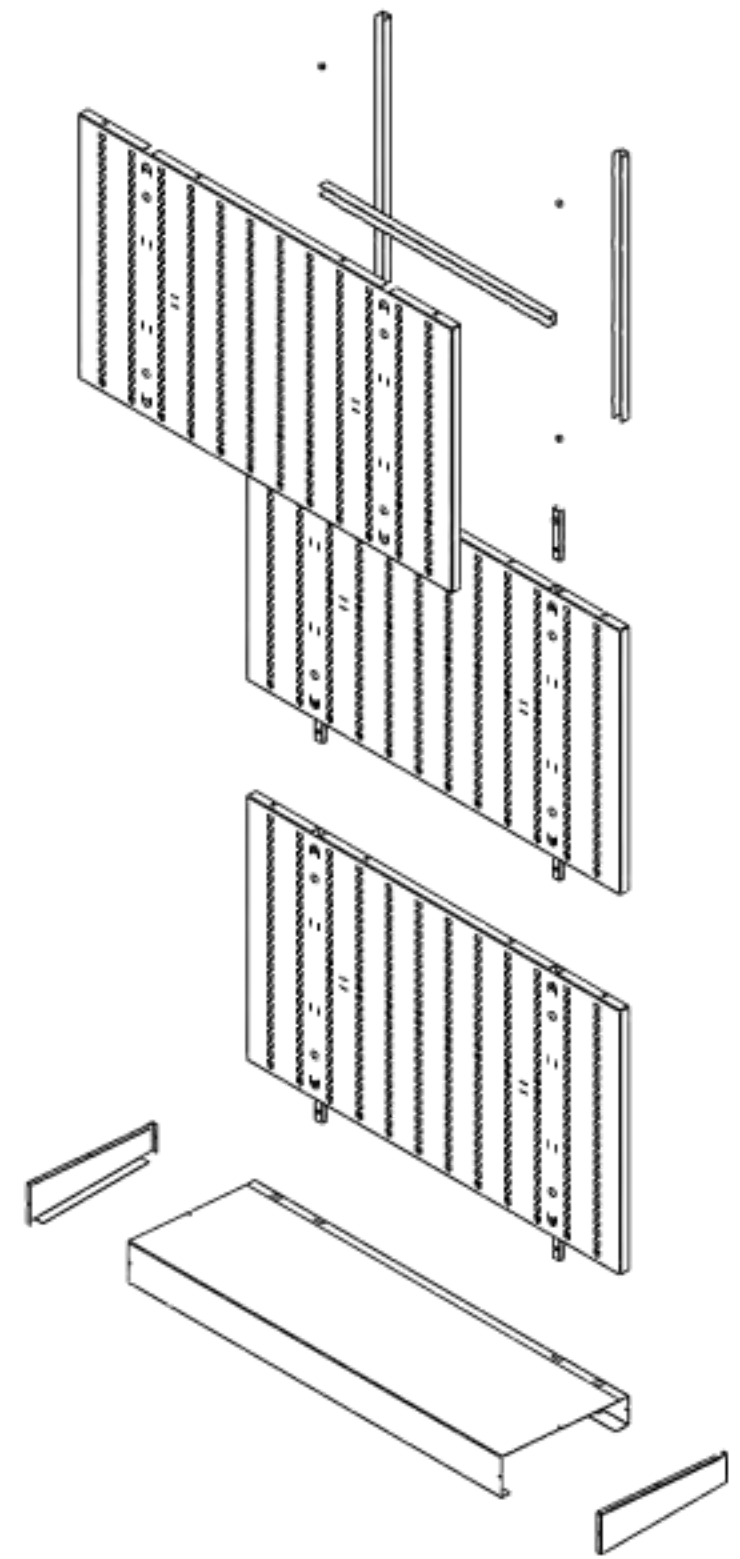
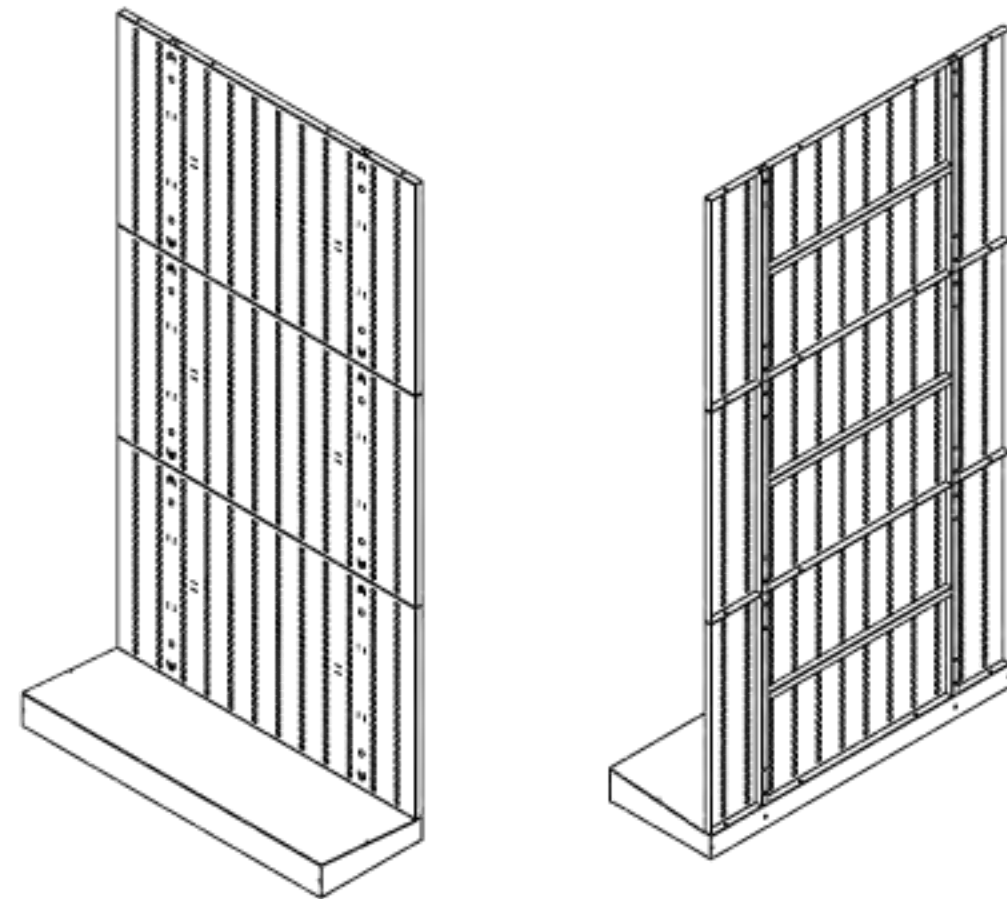
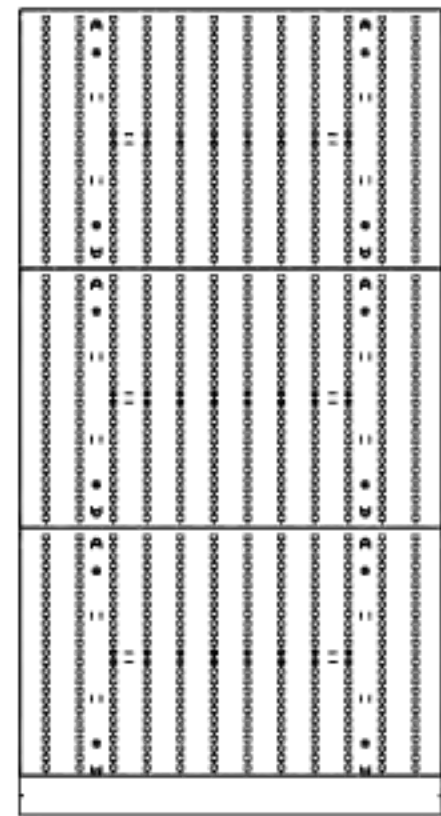
TSI TECH SOLUTIONS

TITLE:
 50" UNIV. WEAPONS CAB.

SIZE	DWG. NO.	REV
B	TSI-4450	B

SCALE: NTS WEIGHT: 246.163 SHEET 2 OF 2

8 7 6 5 4 3 2 1



**TSI UNIVERSAL WEAPONS RACK
OUTSIDE SPECS AND
MOUNTING POINTS**

INCHES
[MM]

PROPRIETARY AND CONFIDENTIAL
THE INFORMATION CONTAINED IN THIS DRAWING IS THE SOLE PROPERTY OF TSI TECHNICAL SOLUTIONS INC. ANY REPRODUCTION IN PART OR AS A WHOLE WITHOUT THE WRITTEN PERMISSION OF TSI TECHNICAL SOLUTIONS INC. IS PROHIBITED.

UNLESS OTHERWISE SPECIFIED:
DIMENSIONS ARE IN INCHES
TOLERANCES:
FRACTIONAL ± 1/32
ANGULAR: MACH ± .25° BEND ± 1°
ONE PLACE DECIMAL ± .010
TWO PLACE DECIMAL ± .005
THREE PLACE DECIMAL ± .002
INTERPRET GEOMETRIC TOLERANCING PER:
MATERIAL: SEE PART
FINISH: PER MOTOROLA QPL 314-CR3
DO NOT SCALE DRAWING

	NAME	DATE
DRAWN	JAC	2/28/2008
CHECKED		
ENG APPR.		
MFG APPR.		
Q.A.		
COMMENT:		

TSI TECH SOLUTIONS

TITLE:
84" H OPEN WEAPONS RACK

SIZE	DWG. NO.	REV
B	TSI-4440	A
SCALE: NTS	WEIGHT: 96.36	SHEET 1 OF 1